

V2V L and V3V L shutoff valves belong to the LINE ON LINE® family which means they can be connected to all the other components in series or in parallel. Available in the version for pipe-pipe connection with two push-in fittings, and in the version for thread-pipe connection with a brass nickel-plated male thread and a push-in fitting.

V2V is a two-way unidirectional valve, while V3V is a three-way valve with free discharge in the area around the control knob.

The locked version is probably the smallest available on the market.

A lock is provided to ensure the valve is kept in the closed position during machine maintenance. The valve is supplied complete with a lock and two keys.

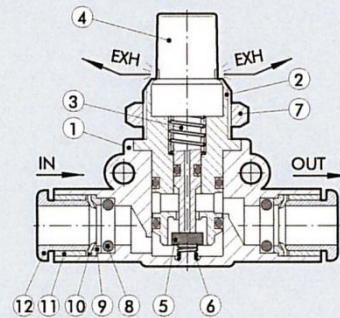


TECHNICAL DATA

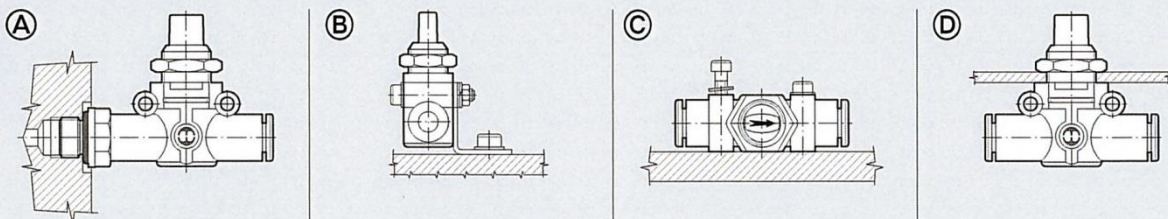
		Ø 6	Ø 8
Operating pressure	MPa	1	
	bar	10	
	psi	145	
Temperature range	°C	- 20 to + 60	
	°F	- 4 to + 140	
Flow rate at 6.3 bar ΔP 1 bar	Nl/min	280	470
Exhaust flow rate at 6.3 bar	Nl/min	110	110
Recommended pipe Fluid		Rilsan PA11 - Nylon 6 - Polyamide 12 - Polypropylene Lubricated or unlubricated filtered compressed air; if used, must be continuous	

COMPONENTS

- ① Technopolymer body
- ② Nickel-plated brass insert
- ③ Brass rod
- ④ Technopolymer knob
- ⑤ NBR valve
- ⑥ Stainless steel valve compression spring
- ⑦ Nickel-plated brass wall-mount ring nut
- ⑧ NBR gasket
- ⑨ Technopolymer spring ring
- ⑩ Stainless steel folding spring
- ⑪ Technopolymer locking bushing
- ⑫ Technopolymer release bushing



ASSEMBLY OPTIONS



How to mount the V2V/V3V L:

- Fig. A With the male threaded port it is possible to mount the V2V/V3V L straight onto the female thread.
- Fig. B Fixing to the plate with the special SQU L bracket.
- Fig. C There are two robust rings on the plastic body for fixing the V2V/V3V L straight onto the wall.
- Fig. D The ring nut is screwed onto the threaded metal part of the V2V/V3V L body for panel mounting.

Applies to the following articles:

Blocking valve »lineonline«, Hose - hose

Article No.	Type No.
106831 to 106832	450-6 to 450-8

Blocking valve »lineonline«, Thread (inlet) - hose (outlet)

Article No.	Type No.
106833 to 106837	451.018-6 to 451.038-8

Blocking valve »lineonline«, Hose (inlet) - thread (outlet)

Article No.	Type No.
106838 to 106842	452.018-6 to 452.038-8